

AFTERCARE INSTRUCTIONS

Excessive exposure to water will deteriorate the furniture. Wipe away any water splashes or condensation after use.

All bathrooms should be well ventilated, if needed, with a suitable extractor fan.

Clean with a soft damp cloth only.

Use a wax free polish if one must be used.

CUSTOMER SERVICE

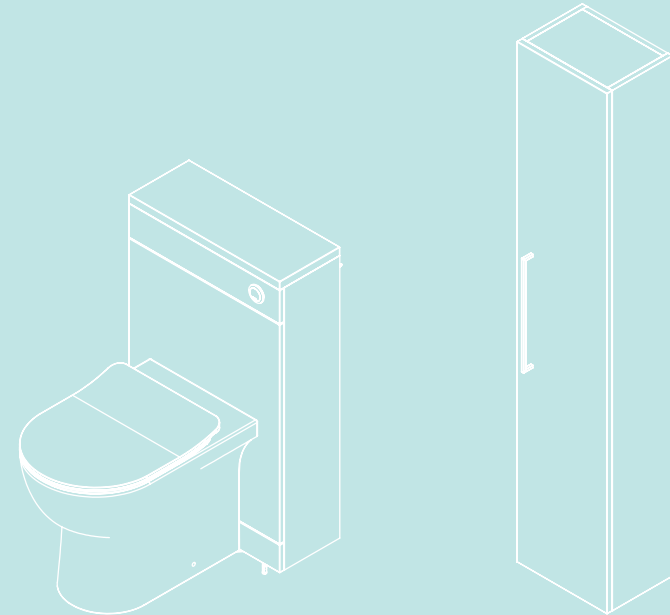
t: +44(0)208 686 5100
e: technical@saneux.com

Iain Stewart Centre, Beehive
Ring Road, Gatwick, RH6 0PB

www.saneux.com

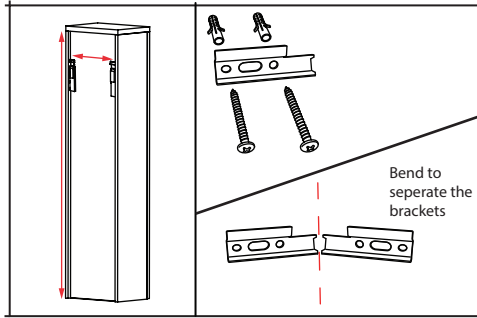
AUSTEN

INSTALLATION INSTRUCTIONS



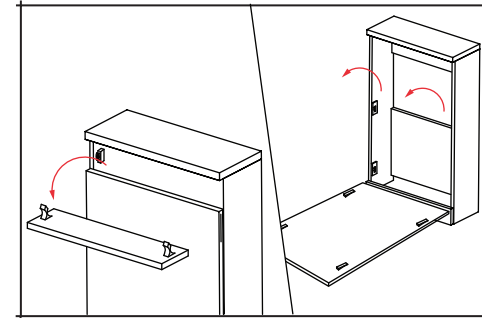
AU030S - AU050S

saneux



Side Unit Installation.

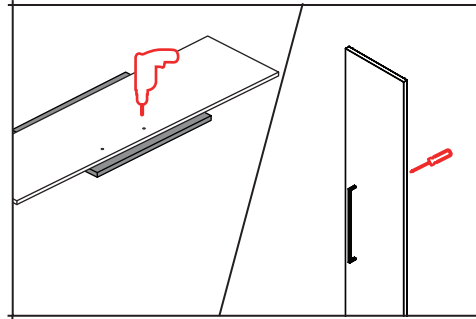
Mark the location of both mounting plates ensuring that they are positioned inside the side panels. Drill the wall, locate the wall plugs and secure the plates. The fixings supplied are for solid walls. For hollow or stud walls use specialist fixings.



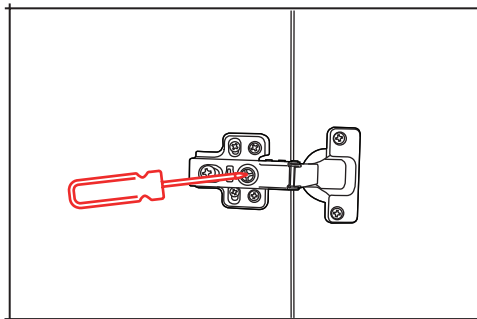
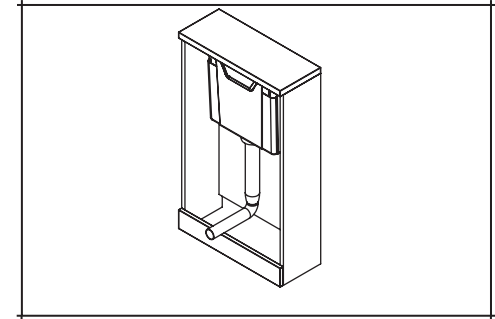
WC Unit Installation.

Remove the top front panel by gently pulling it off the push fit clips. Remove the main front panel by sliding it upwards off the push fit clips.

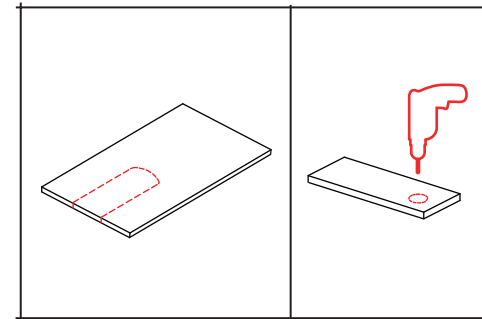
To ensure the paint does not come off the front panel, place the door front (face down) on a piece of wood. Drill the pilot holes for the handle width selected. Using a screw driver and the screws provided with the handle, secure the handle to the door front.



Refer to the cistern instructions and install the selected cistern.

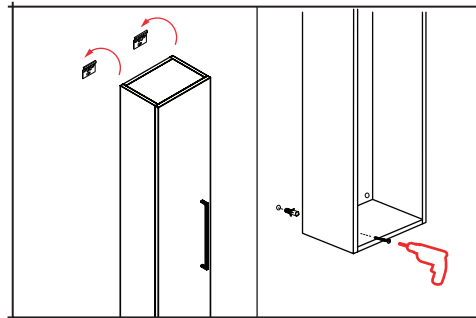


Assemble the door to the carcass and tighten the screws on the hinges ensuring the door is correctly aligned with the carcass.



Measure the back of the pan and cut a suitable slot on the main panel to allow for the soil pipe and inlet pipe. Measure the diameter of the flush button and drill a hole on the top front panel.

Mount the side unit on the wall using the wall plates. Mark the location of the bottom holes and remove the unit from the wall. Drill the wall, insert plugs, re-mount the unit and secure it to the wall using the screws provided.



Refer to the cistern instructions and install the selected cistern inside the WC unit. Return the front panels to the carcass by re-mounting them on the push fit clips.

